

Model 501 Remote Actuator

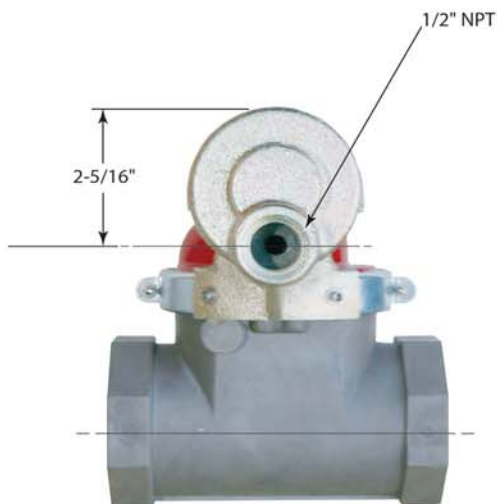
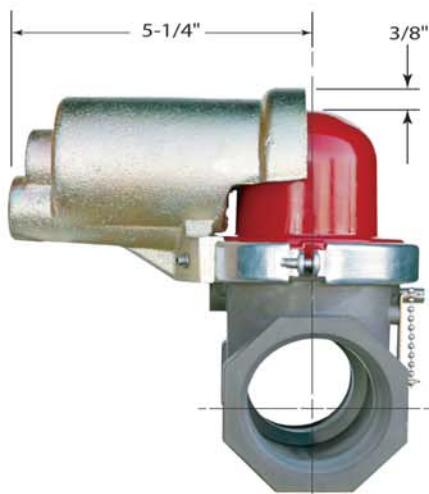
Works With All CALIFORNIA Valves



Remote Actuator shown installed on 1-1/2" valve, installation is typical.

The Model 501 Remote Actuator will add an additional layer of protection to panic switches, fire and sprinkler alarm systems. A CALIFORNIA valve with the 501 Remote Actuator will trip during a violent earthquake or when an electrical signal is present. Available for all CALIFORNIA valves, 3/4" to 6" vertical or horizontal, the actuator is factory installed at the time of manufacture. It is not available as a retro fit to existing valves. A typical customer's system would include a 24 volt transformer, panic switch and our RA 501, providing both panic/emergency shut off and seismic protection.

Specifications



Switch: Normally Open

Wire: Low Voltage

Voltage: 24

Draw: 15 Watts



**Alliance
International
Company, Inc.**

www.AllianceInternationalCo.com

Toll Free 866-422-8258

Tel 310-472-7592

Toll Free 866-776-8258

Fax 310-472-5276